

Data sheet

Battery Box 10

Battery Box 10

for idOil-30 Battery, idOil-30 Battery 3G



The Battery Box 10 can be used as a power supply for idOil-30 Battery and idOil-30 Battery 3G alarm devices.

Fusing

idOil alarm devices are fused by means of automatic multiple fusing integrated in the Battery Box 10.

Tips for battery operation

The service life of batteries depends on factors such as current consumption, battery quality and type of alarm device, age and storage. With normal usage of the alarm device with the default settings, the batteries have a service life of at least 1 year. To achieve the longest possible service life, always select quality batteries.

Note

idOil alarm devices are tested exclusively with alkaline batteries.

Warning Caustic battery acid

Leaking battery acid can cause personal injury and damage to the device.

- Never use damaged or leaking batteries.

Caution Overheating

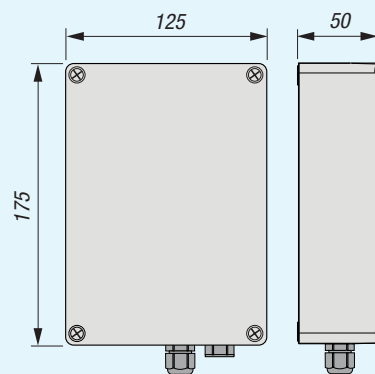
Overheated batteries can cause malfunctions or damage to the device.

- Always operate batteries in the temperature range specified by the manufacturer

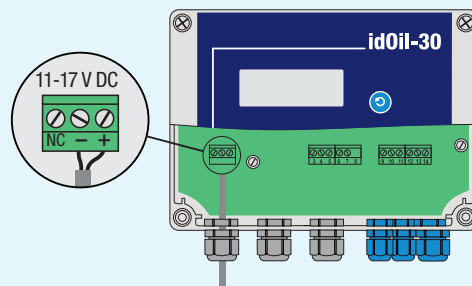


Technical data

Enclosure	IP 65, material polycarbonate
Weight	470 g (without batteries) 1130 g (with batteries)
Ambient temperature	-10 °C...+ 45-55 °C (Max. temperature depends on battery type)
Output operating voltage	15 V DC
Permitted battery type	10 x 1,5 V DC (Type C, LR14 or AM-2 JIS)
Accessories	LMS-SAS2
Manufacturing year	xxxxxxx x xxx xx YY x Please see the serial number on the type plate where YY = manufacturing year (E.g. 19 = 2019)



Battery Box 10 dimensions (mm)



Connecting Battery Box 10 to control unit