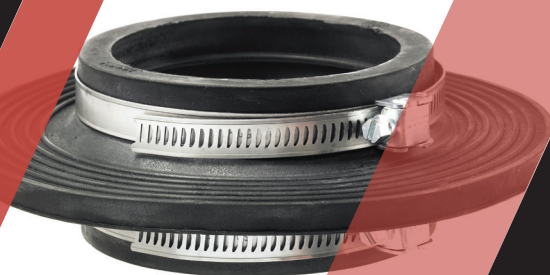


Designed to perform,
engineered to last



Puddle Flanges (VPF)

Watertight up to 10 bar and easy to install, FRANK puddle flanges have been designed specifically for the pressure-tight installation of pipelines in concrete walls, tanks, shafts, foundation plates, manholes and basements.



Puddle flanges are suitable for all standard pipes in steel, plastic, stoneware, concrete and cast iron from 20 to 3200mm OD.

They have been specifically designed for the pressure-tight installation of pipelines in concrete walls, foundation plates and manholes and are pressure-tight up to 10 bar, preventing the ingress of pressurised water, diffusing media such as gases (e.g. radon) and hydrocarbons (e.g. oil, petrol).



Product Specifications

VIPSeal® Product Reference	VPF
Size Range	20mm >
Material	EPDM Rubber (also available in NBR)
Steel	1.4301 (304) Stainless Steel / 1.4401 (316)
Tightening Torque	6Nm (20 - 500mm)
Pressure Rating	20-559mm 10 bar / 145 psi 560mm > 8 bar / 116 psi
Constant Working Temperature Range	-10° to 60° (-50° to 140° intermittent)

Applications:

- To prevent water or gas getting into buildings via pipe penetrations
- Domestic and commercial developments
- Suitable for use with all smooth walled pipes provided that the pipe surface, at the point of installation, is clean, smooth and free of pores or surface imperfections
- Most pipe sizes can be accommodated from 20mm through to 3200mm diameter
- Installed on pipes during construction where water penetration has to be prevented

Benefits:

- ✓ Tested up to 10 bar water pressure
- ✓ Easy to install, cost effective solution
- ✓ Can be installed in walls, floors and ceilings
- ✓ Good general chemical resistance

Notes

- Puddle flanges are supplied with the ID smaller than the host pipe OD and are stretched over during installation.
- Concrete coverage should be at least 50mm against each surface of the puddle flange using waterproof concrete.
- Depending on the size, puddle flanges have an OD 75-100mm larger than the host pipe OD
- The pipe must be fully supported to withstand the concrete pouring process as puddle flanges do not provide any axial restraint.

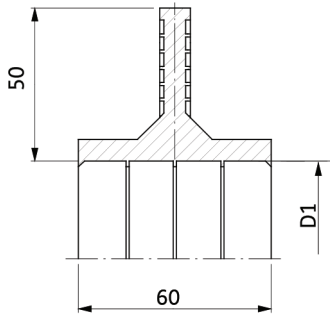
Density	1,030kg/m ³
Shore hardness	40° Sh ± 3
Tensile Strength	10 N/mm ²
Elongation at fracture	750%
Tear propagation strength	3.9 N/mm ²
Deformation under pressure (72h, 70°C)	32%



Designed to perform, engineered to last

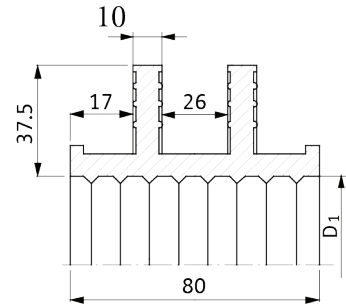


Product Range



20-354mm
10 bar pressure rating
Supplied with 2 x SS tension bands

VIPSeal Reference	D1	Range (Pipe O/D)	
		From (mm)	To (mm)
VPF20	16	18	24
VPF25	21	23	29
VPF32	29	31	37
VPF40	38	40	46
VPF50	48	50	56
VPF63	60	62	69
VPF75	71	73	82
VPF90	84	86	97
VPF100	95	98	109
VPF110	105	108	121
VPF125	120	123	136
VPF145	132	136	155
VPF160	154	158	177
VPF180	173	177	197
VPF200	195	199	224
VPF225	215	220	249
VPF250	245	250	279
VPF280	275	280	314
VPF315	310	315	354



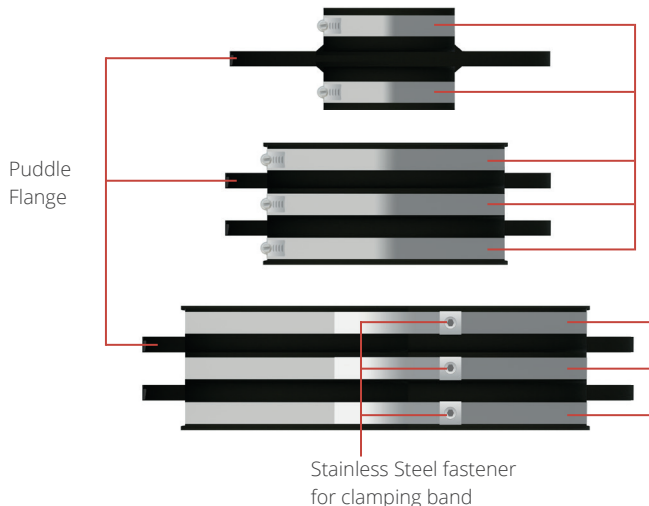
355-559mm
10 bar pressure rating
Supplied with 3 x SS tension bands

VIPSeal Reference	D1	Range (Pipe O/D)	
		From (mm)	To (mm)
VPF355	310	355	399
VPF400	353	400	449
VPF450	400	450	499
VPF500	448	500	559

560mm >
8 bar pressure rating
Supplied with clamping band (30m roll) and 3 x SS fasteners.
Clamping tool supplied separately.

VIPSeal Reference	D1	Clamping Band Length (per puddle flange) (m)	Range (Pipe O/D)	
			From (mm)	To (mm)
VPF560	505	12.3	560	629
VPF630	571	13.8	630	709
VPF710	648	16.2	710	799
VPF800	733	17.1	800	899
VPF900	828	18.0	900	999
VPF1000	923	19.8	1000	1150
VPF1200	1113	23.7	1200	1350
VPF1400	1303	28.0	1400	1550
VPF1600	1490	31.9	1600	1750
VPF1800	1680	38.0	1800	1990

Larger sizes available on request



Tension bands with worm drive

Galvanized clamping band

Stainless Steel fastener for clamping band



355mm > Puddle flange

Edition 1.0

