

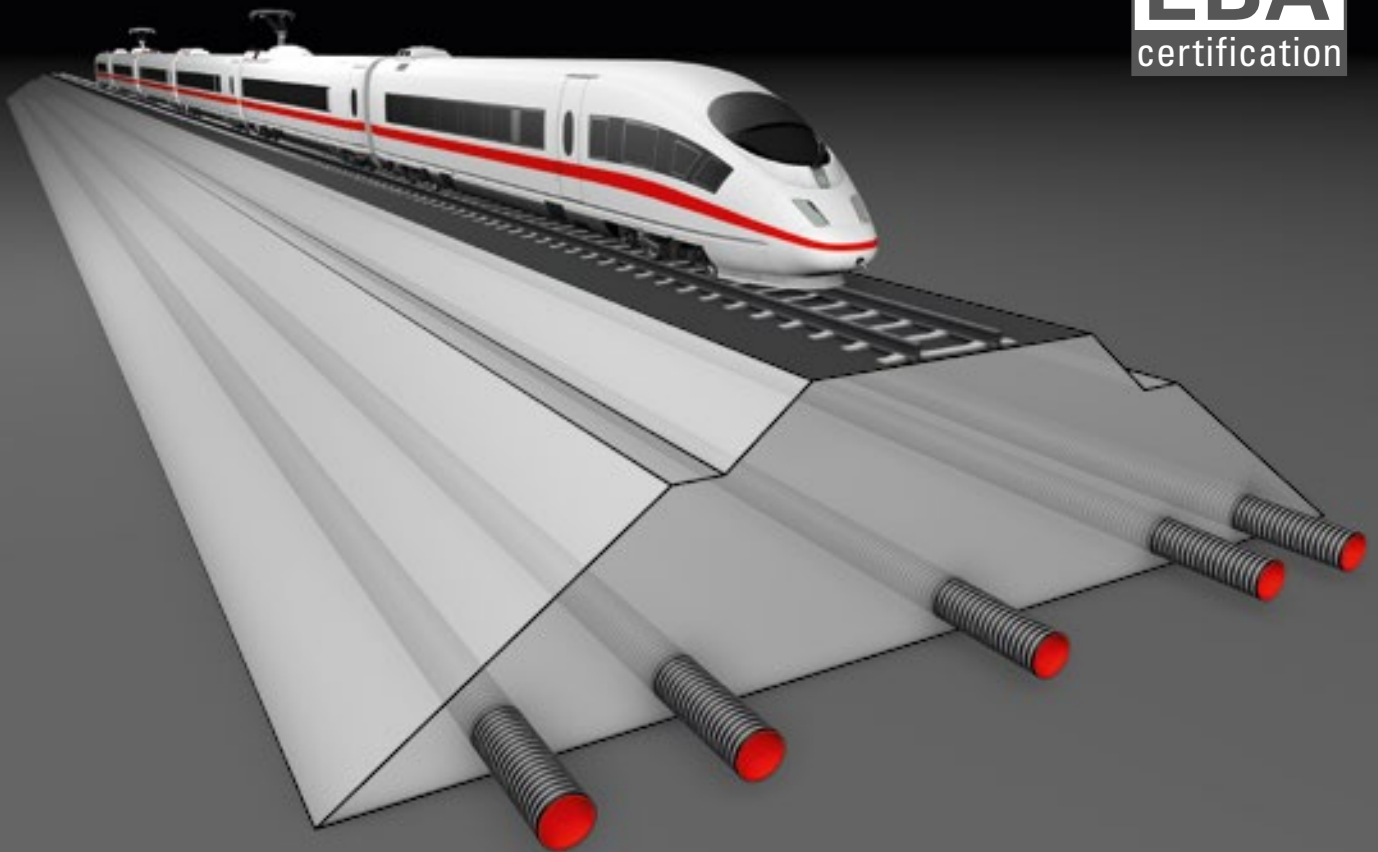
RailPipe® system

For ideal railway track drainage



EN | Last modified: january 2018

- DRAINAGE SYSTEMS**
- ELECTRICAL SYSTEMS
- BUILDING TECHNOLOGY
- INDUSTRIAL PRODUCTS



RailPipe® with EBA certification

For all fields of track drainage

The RailPipe drainage pipe is the first twin-wall pipe to meet all the standards and requirements of Deutsche Bahn AG and the German Federal Railway Authority (*Eisenbahn-Bundesamt, EBA*) and can therefore be used for all pressure ranges of the roadbed and track.

www.railpipe.com



Table of contents

RailPipe® – SN 16 (PP) drainage pipe	4 - 5
Pressure ranges	6 - 7
RailControl – flushing and inspection shaft	8
RailPipe® system	9
Product range overview	10 - 11

Professional advice by FRÄNKISCHE

International Sales Director

Horst Dörr +49 9525 88-2490
horst.doerr@fraenkische.de

International Sales

Dinah Nigrowics +49 9525 88-8155
dinah.nigrowics@fraenkische.de

Technician

Stefan Weiß +49 9525 88-8824
stefan.weiss@fraenkische.de

European Sales Director

Klaus Lichtscheidel +49 9525 88-8066
klaus.lichtscheidel@fraenkische.de

European Sales

Jennifer Gernert +49 9525 88-2569
jennifer.gernert@fraenkische.de

Carolin Rausch +49 9525 88-2229
carolin.rausch@fraenkische.de

Jessica Ursin +49 9525 88-2441
jessica.ursin@fraenkische.de

Fax +49 9525 88-2522

Service

Please also find free
planning aids such as

- tender documents or
- project questionnaires

A detailed installation manual (incl. data
sheet) is included with each delivery!



www.fraenkische.com

www.railpipe.com



RailPipe® tried-and-tested for many years

Drainage pipes must withstand extreme stresses in the drainage of railway tracks. Using high-quality polypropylene and an optimised profile geometry, FRÄNKISCHE offers an extremely hard-wearing drainage pipe for track drainage.

The RailPipe drainage pipe is the first twin-wall pipe to meet all the standards and requirements of Deutsche Bahn AG and the German Federal Railway Authority (Eisenbahn-Bundesamt, EBA) and can therefore be used for all pressure ranges of the roadbed and track.

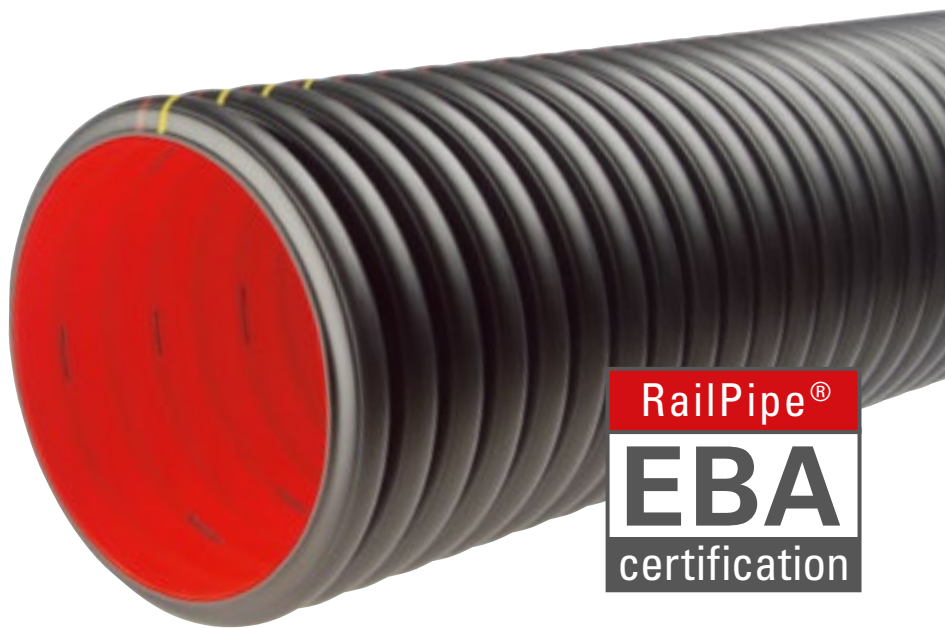
The pipe is 100 % recyclable. The black outside guarantees high UV protection.

RailPipe is delivered in straight lengths of 6 m including coupling and sealing ring. It can be cut to length as desired and remaining pieces can be reused using couplings.

RailPipe complies with the extremely demanding requirements of Deutsche Bahn AG in terms of impact strength and flexural fatigue strength. Its round shape and smooth inside create a

cross-section which is beneficial in terms of hydraulics and maintenance.

We guarantee RailPipe's constant quality with permanent internal quality assurance and external quality control through the official testing centre of MFPA Leipzig.



Application

Pressure ranges	RailPipe LP (DN 150 - DN 600)	RailPipe TP (DN 150 - DN 600)	RailPipe MP (DN 200 - DN 600)
outside	✓	✓	✓
external	✓	✓	✓
inside NEW	✓	✓	✓

... for ideal railway track drainage

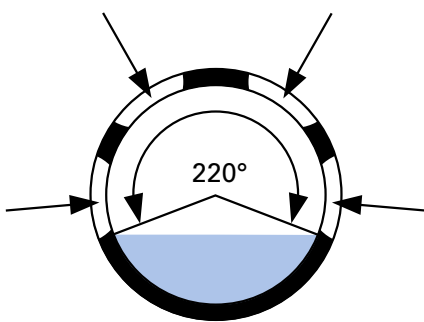
Striking advantages

- one pipe for all applications
- can be used in all pressure ranges (outside of, external and inside pressure range)
- satisfies highest requirements in terms of safety and stability
- highest degree of planning security
- solution meeting the needs of construction sites
- simple, inexpensive and space-saving construction site logistics

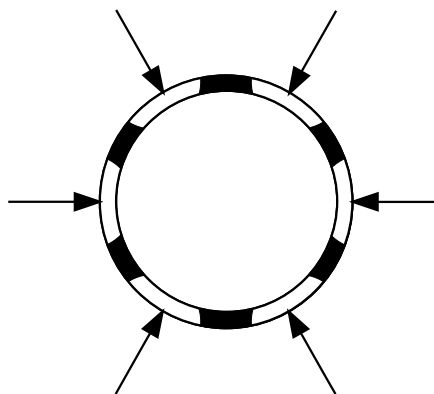
Characteristics

- inside wall thickness greater than or equal to 3.5 mm for all nominal diameters
- ring stiffness SN 16
- 2.5 mm slit width for all nominal diameters
- PP material (new item)
- twin-wall design, corrugated outside, smooth inside
- proof of jetting resistance according to DIN 19523 (material test)
- high infiltration rate thanks to perfectly arranged perforations and low water infiltration resistance
- PP twin-wall pipe according to DIN EN 13476 and DIN 4262-1, and DBS 918064
- continuous crown marking (red) and mark for coupling insertion depth

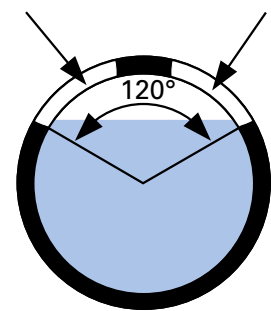
Designs



RailPipe
Locally perforated pipe (LP)



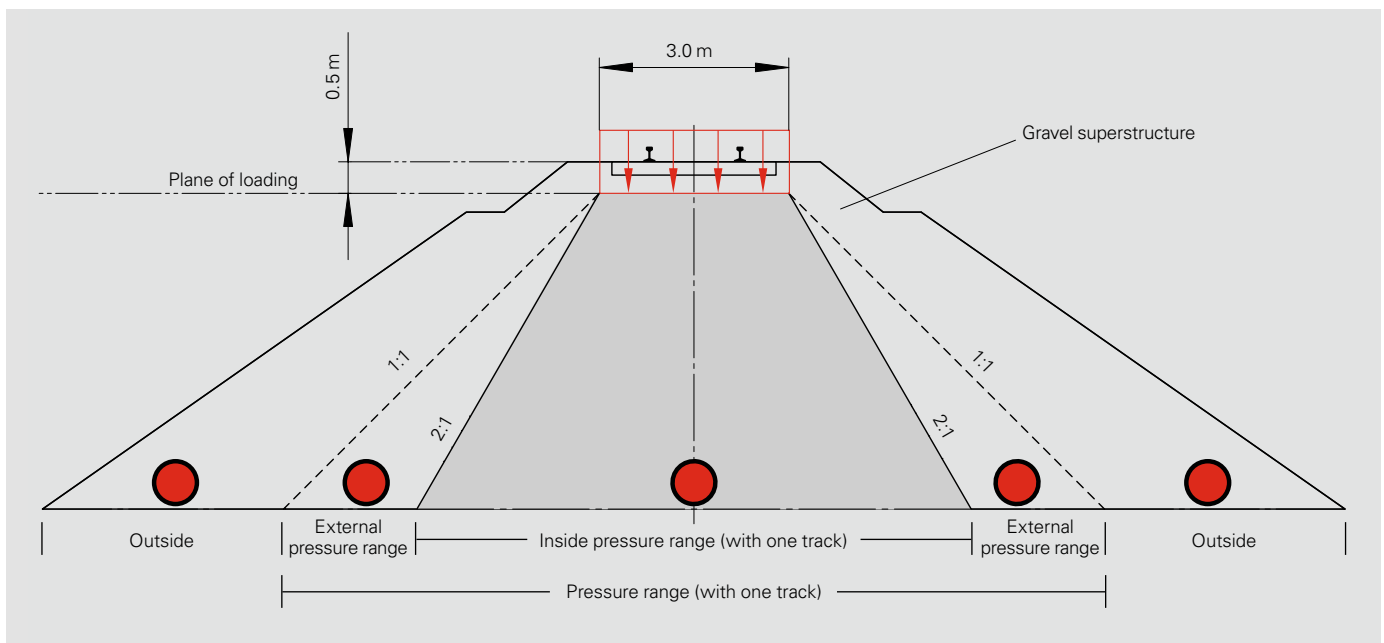
RailPipe
Totally perforated pipe (TP)



RailPipe
Multi-purpose pipe (MP)

Use of RailPipe® now also in the inside pressure range

One-track system

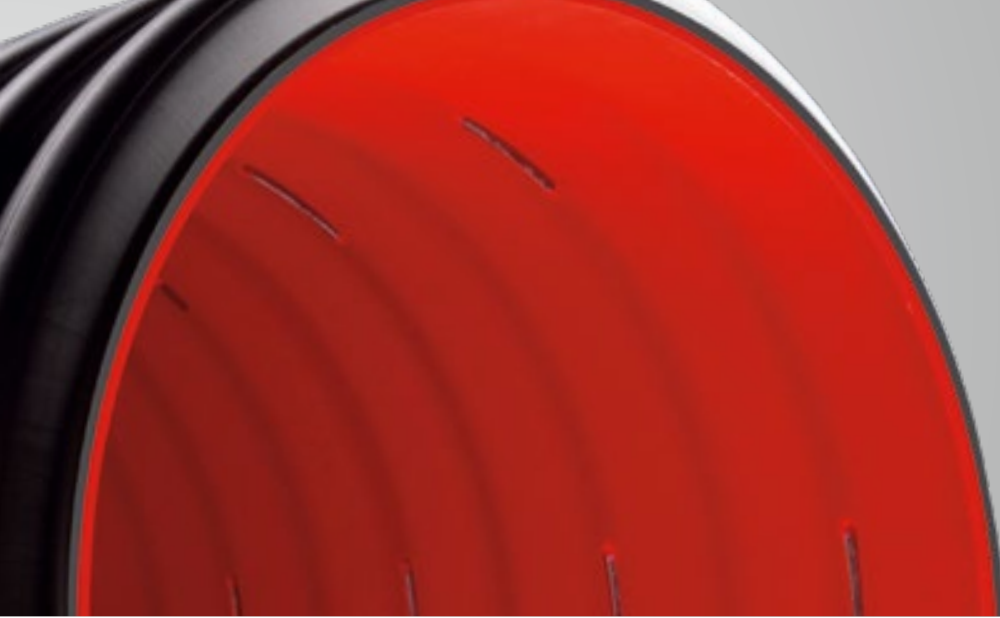


Unlimited flexibility with RailPipe ...

Controlled drainage of railway tracks is required for safety reasons. Accumulating infiltration water must be removed from waterbodies and soils in compliance with the protection requirements. RailPipe, the first twin-wall pipe with

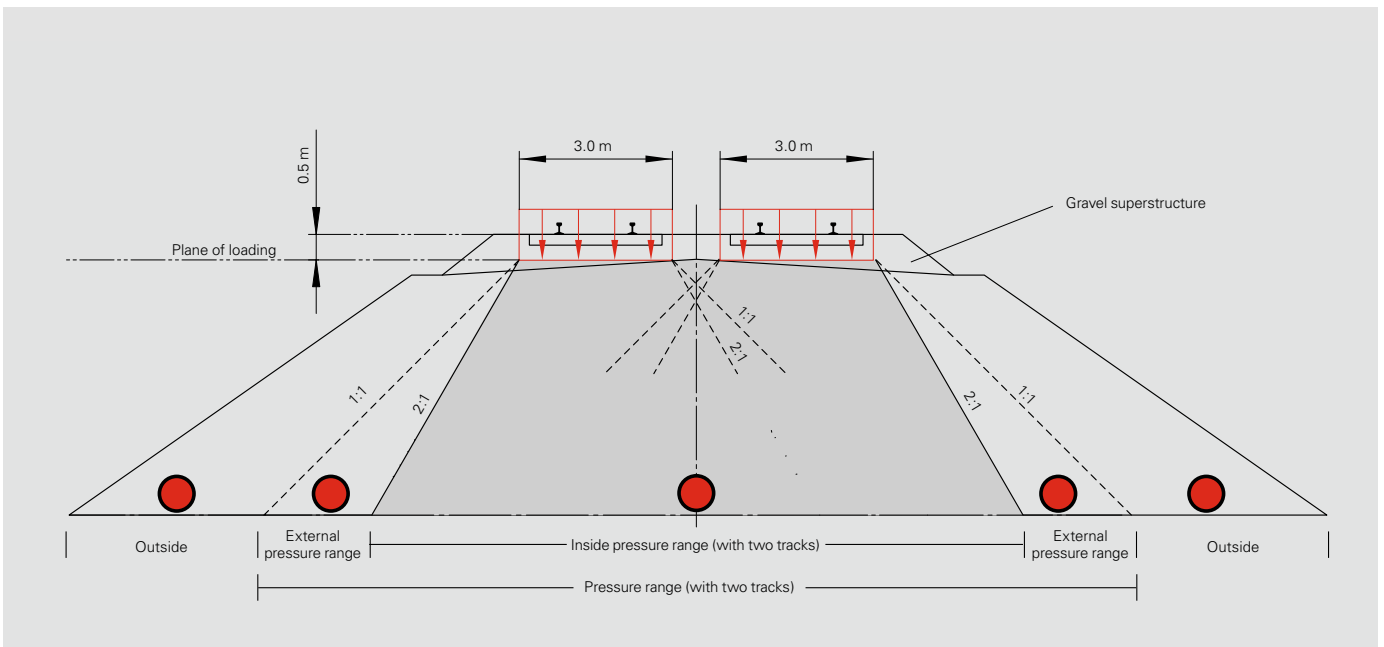
EBA certification for track drainage, complies with the highest requirements in terms of safety and stability. With the certification of the German Federal Railway Authority (*Eisenbahn-Bundesamt, EBA*) for applications in the inside pres-

sure range, the pipe can also be installed right under the tracks. With this certificate, RailPipe offers absolute safety combined with maximum performance – not only outside of and in the external pressure range of the roadbed



One pipe for all pressure ranges

two-track system



... with highest reliability and efficiency

and track but also in the inside pressure range. The solution for contracting companies when it is about sustainable and efficient drainage of railway tracks. The numerous available nominal diameters from DN 150 to 600 give an ample scope

for individual planning. One pipe for all applications - this does not only mean freedom in terms of planning, but also reduces logistic complexity at the construction site.

NB

Please see our detailed installation manual for more detailed installation information.

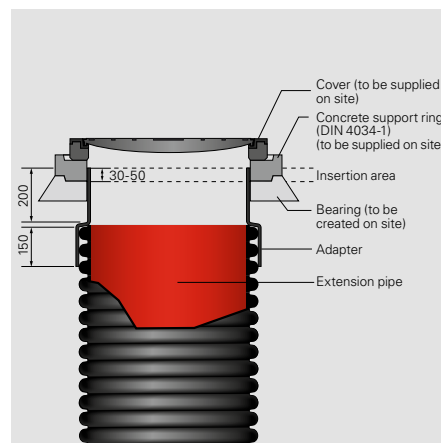
RailControl – the ideal addition to RailPipe®

The RailControl flushing and inspection shaft is available as 180° shaft in two basic designs, each with inlet and outlet in nominal connection diameters DN 250 and DN 400. Standard nominal diameters ranging from DN 150 to DN 300 can be connected using reducers. The one-piece PE shaft bottom features the known advantages of this material: optimum chemical resistance and impact resistance. RailControl with its modular design comprising shaft bottom, extension pipe and adapter was specifically developed

according to the specifications of DBS 918064. It also features a fully-fledged raceway.

The shaft's continuous inside diameter of DN 600 allows for easy inspection and flushing of the connected pipe systems.

RailControl also features the HPQ manufacturer-related product qualification.

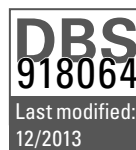


RailControl

- inside diameter of shaft bottom and extension pipe DN/ID 600
- resistant to acids, bases, oils and greases acc. to DIN 8075, supplementary sheet 1
- UV-resistant, longer periods of storage outside possible
- temperature resistant from -40 to +80 °C
- extremely hard-wearing
- extension pipe SN 16, black outside, red inside
- statically substantiated, structural test by MFPA Leipzig
- connection of standard covers 625 mm, with standard concrete support rings
- height adjustment thanks to extension pipe which can be cut to length as required and fine adjustment thanks to adapter which can be shortened continuously by up to 10 cm
- easy construction site handling
- fully-fledged raceway in the shaft bottom
- proof of jetting resistance according to DIN 19523 (material test)



Inside view of shaft with raceway



Highest reliability with the RailPipe® system

With RailPipe, FRÄNKISCHE has developed the perfect system for the requirements of track drainage. RailPipe with EBA certification convinces with highest quality standards and satisfies all requirements in terms of long-term exposure to stress, static capacity and safety.

The RailControl (HPQ manufacturer-related product qualification) flushing and inspection shaft specifically designed for railway traffic requirements is the ideal addition to the practice-proven RailPipe drainage pipe. Both components have been ideally matched and form a homogeneous and efficiently working overall system providing highest functional reliability for planning engineers, users and builders.

RailPipe and RailControl meet all technical requirements of DBS 918064 and feature HPQ manufacturer-related product qualification. Additionally, RailPipe is the first twin-wall pipe to be certified for installations in the inside pressure range by the Federal Railway Authority.



RailPipe® and accessories product range overview

RailPipe® – drainage pipe SN 16



Locally perforated (LP), totally perforated (TP) and multi-purpose (MP) SN 16 PP pipe in proven twin-wall design (corrugated outside, smooth inside), according to DIN 4262-1 R2 type and DIN 13476. Fulfils the special requirements of DBS 918064 of Deutsche Bahn AG. Features manufacturer-related product qualification (HPQ).

EBA certified for the inside pressure range.

Application:

Specifically designed for track drainage (for all pressure ranges) or for applications with extreme requirements.



TP
Totally perforated pipes



LP
Locally perforated pipes



MP
Multi-purpose pipes

Product	Technical data		Cat. no.
	DN/ID	Outside Ø mm	
RailPipe - TP (totally perforated pipe)	DN/ID 150	174	544.01.150
	DN/ID 200	235	544.01.200
	DN/ID 250	294	544.01.250
	DN/ID 300	347	544.01.300
	DN/ID 400	460	544.01.400
	DN/ID 500	570	544.01.500
	DN/ID 600	683	544.01.600
RailPipe - LP (locally perforated pipe)	DN/ID 150	174	544.11.150
	DN/ID 200	235	544.11.200
	DN/ID 250	294	544.11.250
	DN/ID 300	347	544.11.300
	DN/ID 400	460	544.11.400
	DN/ID 500	570	544.11.500
	DN/ID 600	683	544.11.600
RailPipe - MP (multi-purpose pipe)	DN/ID 200	235	544.21.200
	DN/ID 250	294	544.21.250
	DN/ID 300	347	544.21.300
	DN/ID 400	460	544.21.400
	DN/ID 500	570	544.21.500
	DN/ID 600	683	544.21.600

RailPipe-UP (unperforated) available on request

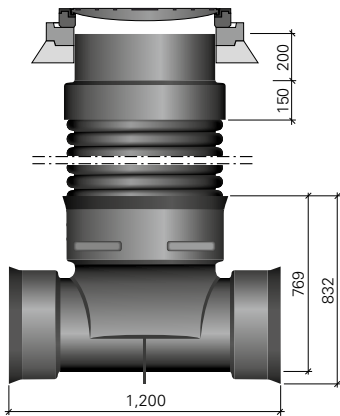
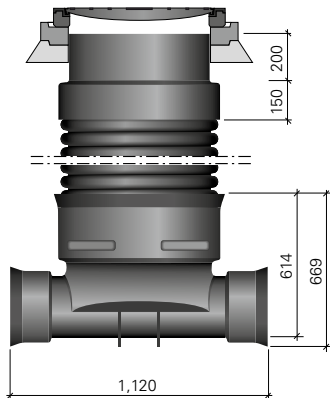
Please see the transport label on the pallet for the manufacturing date.

RailPipe® accessories

Product	Technical data	Cat. no.
RailPipe coupling sealing rings included	DN 150	549.10.150
	DN 200	549.10.200
	DN 250	549.10.250
	DN 300	549.10.300
	DN 400	549.10.400
	DN 500	549.10.500
	DN 600	549.10.600

Other fittings available on request.

RailControl and accessories overview



Product	Technical data	Cat. no.
RailControl (set)	2/250 180° shaft; 1 inlet / 1 outlet DN 250; consisting of shaft base body, extension pipe DN/ID 600 1.20 m length, sealing ring DN 600 and adapter for extension pipe	555.05.612
RailControl (set)	2/400 180° shaft; 1 inlet / 1 outlet DN 400; consisting of shaft base body, extension pipe DN/ID 600 1.20 m length, sealing ring DN 600 and adapter for extension pipe	555.05.652
Extension pipe	DN/ID 600; 1.2 m length	555.45.601
Adapter	for extension pipe	555.85.010
Profile sealing ring	for reducer DN 250	555.19.254
	for extension pipe DN 600	555.19.604
End plug	for reducer DN 400/DN 300	555.19.444
	DN 250	555.80.254
Reducer	DN 250/DN 150	555.12.255
	DN 250/DN 200	555.11.255
	DN 400/DN 300	555.12.405
Support ring acc. to DIN 4034, part 1	60/80/100 mm high	to be ordered/ supplied on site
Standard covers acc. to DIN EN 124	class B, C or D CW 610	to be ordered/ supplied on site
Gully gutter acc. to DIN EN 124 with bucket handle and stretched bucket (acc. to DIN 4052-A4)	class B, C or D CW 610	to be ordered/ supplied on site

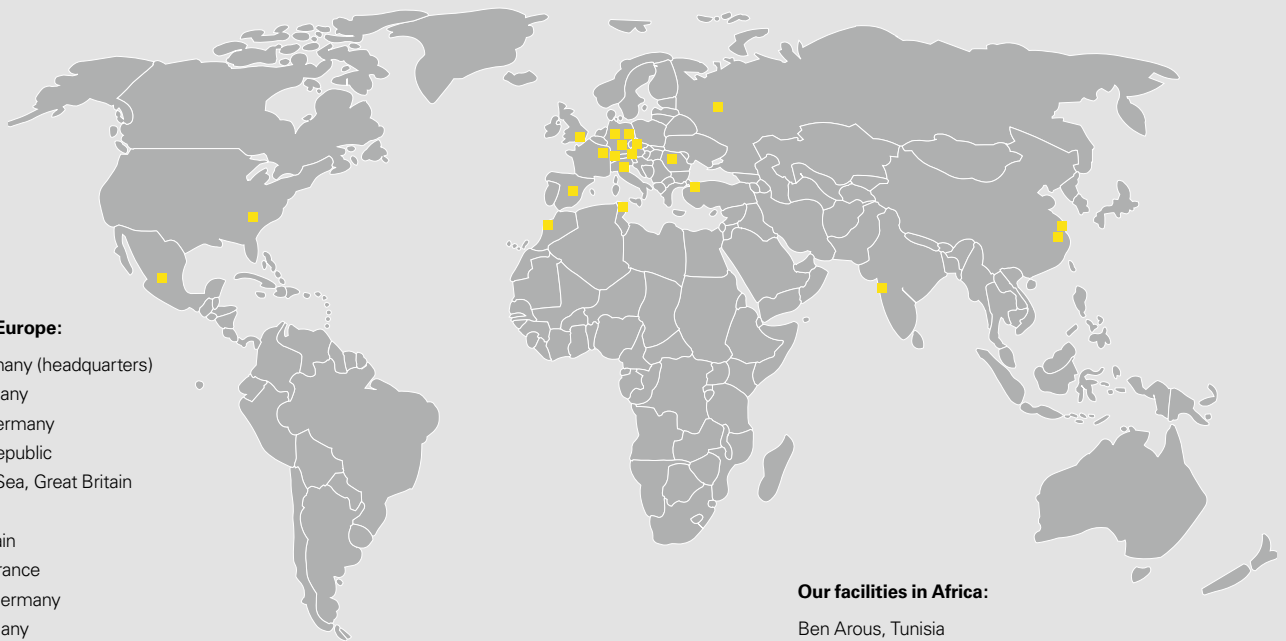
General information on using our products and systems:

Information about or assessments of the use and installation of our products and systems is exclusively provided on the basis of the information submitted. We do not assume any liability for damage caused by incomplete information. If the actual situation deviates from the planned situation or if a new situation occurs or if different or new installation techniques are applied, these must be agreed upon with FRÄNKISCHE, since these situations or techniques may lead to different conclusions. Notwithstanding the above, the customer is solely responsible for verifying the suitability of our products and systems for the intended purpose.

In addition, we do not assume any liability or responsibility for system characteristics and functionalities when third-party products or accessories are used in combination with FRÄNKISCHE systems. We only assume liability if original FRÄNKISCHE products are used. For use in other countries than Germany, country-specific standards and regulations must also be observed.

All information in this publication generally reflects the state of the art at the time of printing. Furthermore, considerable care was taken when preparing this publication. Nevertheless, typesetting and translation errors cannot be entirely excluded. We also reserve the right to make changes to our products, specifications and other data. Changes may also become necessary as a result of legal, material-related or other technological requirements, which cannot or can no longer be considered in this publication. For this reason, we cannot assume any liability which is based solely on the data provided in this publication. The decisive role with regard to the data on products and services is always played by the order placed, the product actually purchased and the documentation in connection with it, or the information provided by our specialist staff in each specific individual case.

Rooted in Königsberg – globally successful!



Our facilities in Europe:

Königsberg, Germany (headquarters)
 Bückeberg, Germany
 Schwarzheide, Germany
 Okříšky, Czech Republic
 St.-Leonards-on-Sea, Great Britain
 Moscow, Russia
 Yeles/Toledo, Spain
 Torcy-le-Grand, France
 Ebersbach/Fils, Germany
 Hermsdorf, Germany
 Mönchaltorf, Switzerland
 Milan, Italy
 Istanbul, Turkey
 Cluj, Romania
 Wels, Austria

Our facilities in Asia:

Anting/Shanghai, China
 Hangzhou, China
 Pune, India

Our facilities in Africa:

Ben Arous, Tunisia
 Casablanca, Morocco

Our facilities in North America and Mexico:

Anderson, USA
 Guanajuato, Mexico

FRÄNKISCHE is an innovative, growth-oriented, medium-sized family-owned enterprise and industry leader in the design, manufacturing and marketing of technically superior corrugated pipe systems for drainage, electrical, building technology and industrial applications.

We currently employ about 4,200 people worldwide. Both our many years of experience and expertise in plastics pro-

cessing, our consulting services and the large array of products are highly valued by our customers.

FRÄNKISCHE is a third generation family owned business that was established in 1906 and is now run by Otto Kirchner. Today, we are globally represented with production facilities and sales offices. The proximity to our customers enables us to develop products and solutions

that are perfectly tailored to our customers' needs. Our action and business philosophy focus on our customers and their needs and requirements for our products.

FRÄNKISCHE – Your partner for sophisticated and technologically advanced solutions.